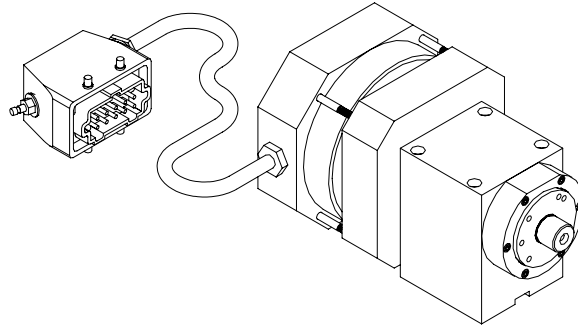
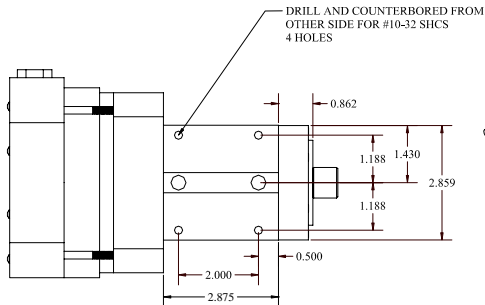
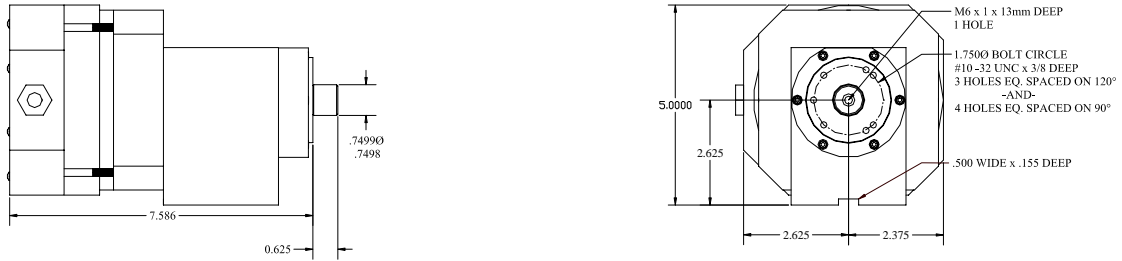


DTS 4300

The DTS 4300 features the same mounting pattern as the DTS 3300. It also has the same shaft, bearings, and seals. The DTS 4300, however, features a larger diameter motor that delivers almost twice the horsepower generated by the DTS 3300. Because of a more powerful motor, the DTS 4300 will accommodate larger diameter diamond rolls and is a candidate for more demanding plunge applications.



G II Solutions, Inc.
 201 Bank Street
 P.O. Box 428
 Central, SC 29630

Phone: 864.639.6605
 Fax: 864.639.4056
 E-mail: info@giisolutions.com
 Web Site: www.giisolutions.com