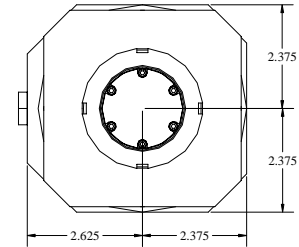
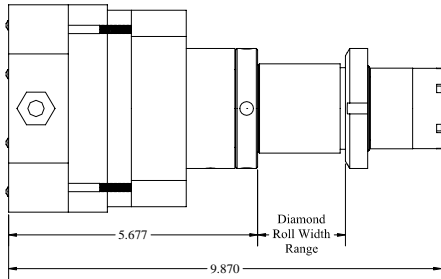
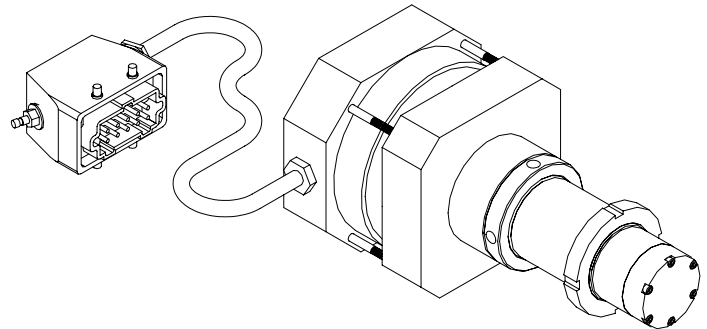
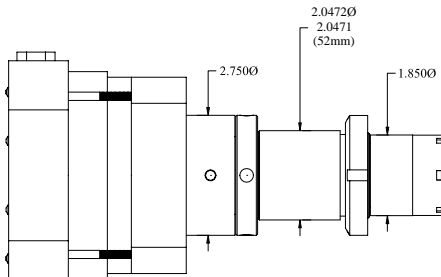


# DTS 4402 / DTS 4404

The DTS 4400 outboard support spindle series uses the same motor as the DTS 4300 cantilever mount spindle. These spindle models are useful when roll packs are required and in demanding plunge applications. Each model requires a cradle to secure the spindle to the grinding machine. Please consult G II Solutions, Inc. for cradle information. The diamond rolls that each model may accommodate are listed in the table below.



Spindle Model	Overall Length	Diamond Roll Width Range
DTS 4402	9.868	1.880 - 2.050
DTS 4404	11.868	3.880 - 4.050



**G II Solutions, Inc.**  
 201 Bank Street  
 P.O. Box 428  
 Central, SC 29630

Phone: 864.639.6605  
 Fax: 864.639.4056  
 E-mail: [info@giisolutions.com](mailto:info@giisolutions.com)  
 Web Site: [www.giisolutions.com](http://www.giisolutions.com)