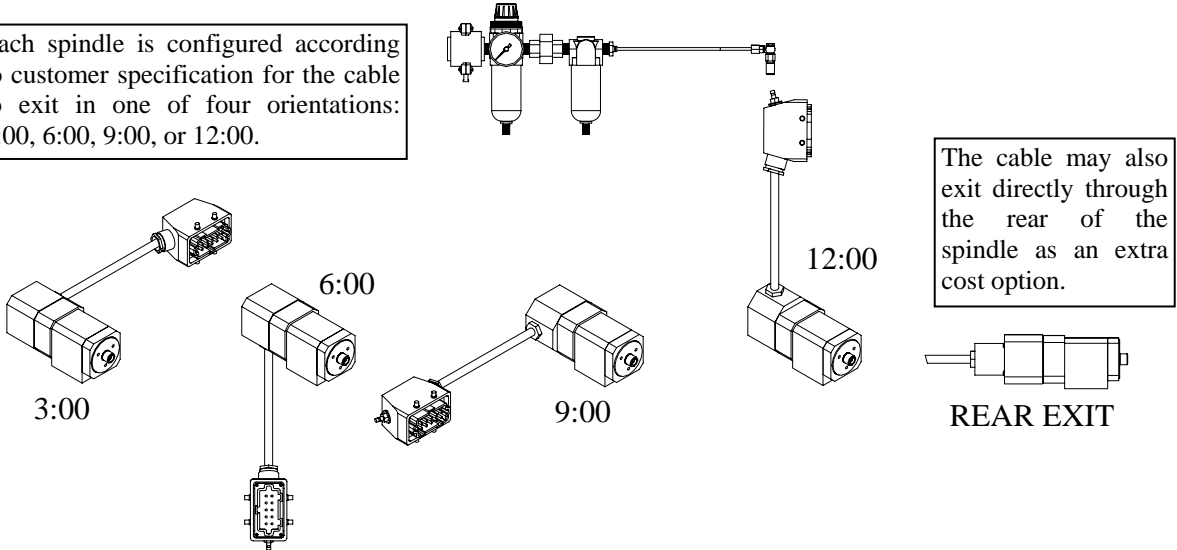


Spindle Cable Configurations

Each spindle is configured according to customer specification for the cable to exit in one of four orientations: 3:00, 6:00, 9:00, or 12:00.



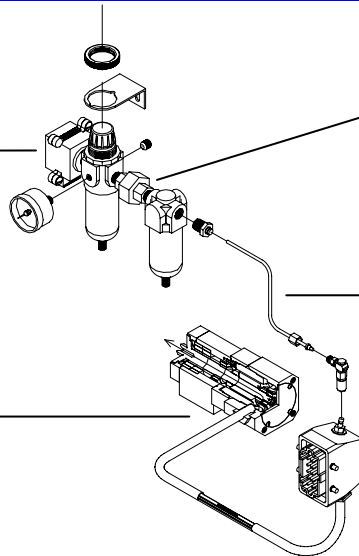
Air Purge Information

1. Factory air is supplied here through a 1/4 NPT female port.

2. Air is regulated to 15 psi and filtered with this air purge unit.

3. Airflow continues through nylon tubing and into the spindle electrical connector.

4. Air flow continues through the spindle cable, into the spindle near the motor, through the spindle bearings, and exits through the seal at the spindle face.



G II Solutions, Inc.
201 Bank Street
P.O. Box 428
Central, SC 29630

Phone: 864.639.6605
Fax: 864.639.4056
E-mail: info@giisolutions.com
Web Site: www.giisolutions.com